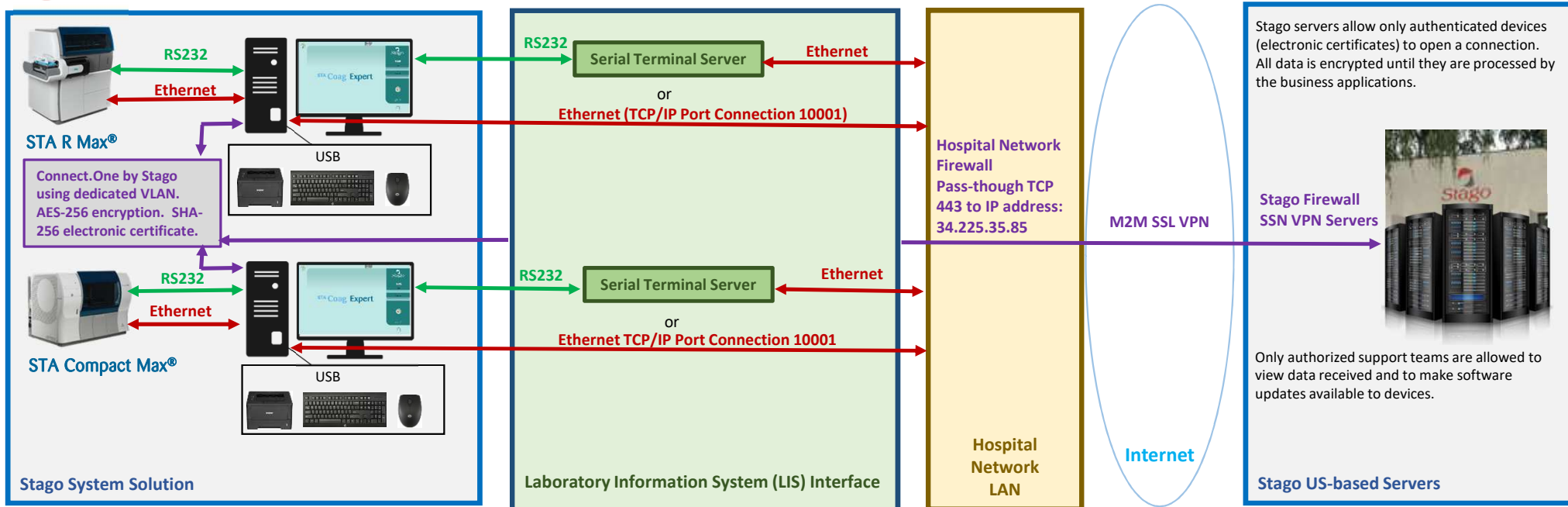


Stago Solution Architecture



The Stago System may be connected to the LIS/Hospital Network using:

RS232 connection: STA Max analyzer ↔ STA Coag Expert ↔ Laboratory Information System ↔ Hospital Network LAN (Ethernet)

Ethernet connection: STA Max analyzer ↔ STA Coag Expert ↔ Laboratory Information System ↔ Hospital Network LAN

(Port number can be modified per IT LIS request, STA Coag Expert can be a LIS Client and connect to LIS on an agreed upon IP port number.)

Connect.One by Stago connection uses a dedicated VLAN:

Data stream to Stago US Servers = STA Coag Expert → Hospital Network Firewall → Internet → Stago Server

Data stream from Stago US Servers* = STA Coag Expert ← Hospital Network Firewall ← Internet ← Stago Server

**Any communication from Stago Servers to the STA Coag Expert is always initiated by the STA Coag Expert end user, never by Stago.*

“ ↔ ” = indicates bidirectional data flow

Stago Solution Architecture [Multiconfiguration – Up to four (4) analyzer maximum master/client connection]

